

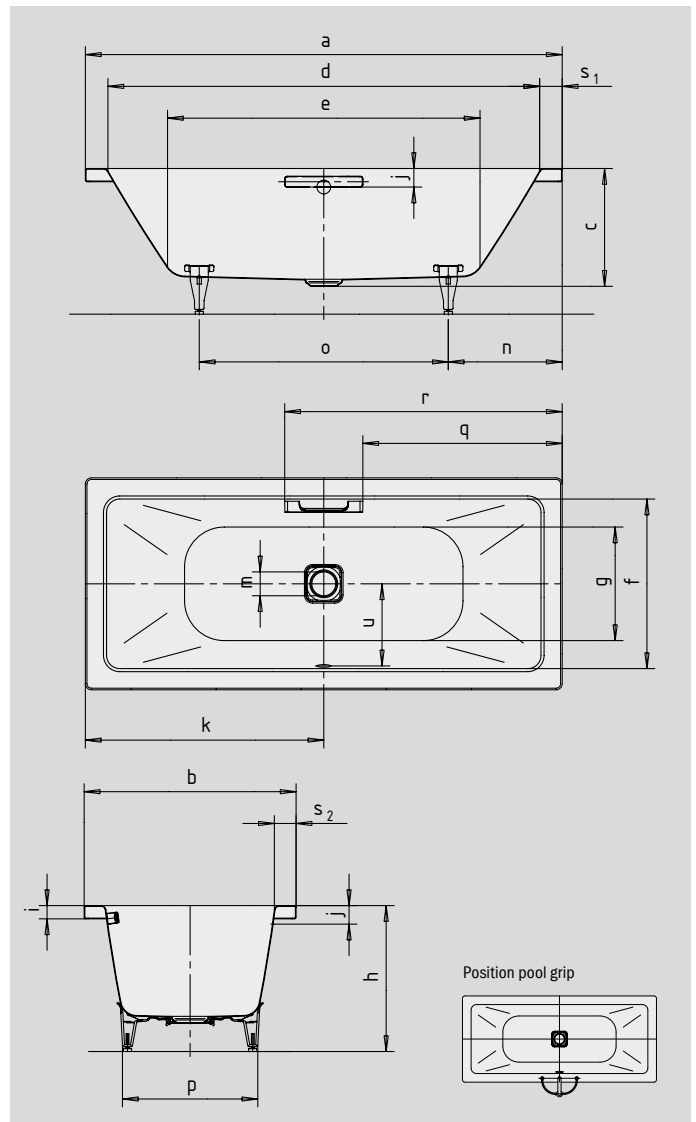
# CONODUO

- straightlined, purist design
- enamelled waste cover and overflow knob integrated in the bath design
- bathing with a friend: two identical back rests and centrally positioned waste
- classic four-cornered model
- made of KALDEWEI steel enamel
- designed by Sottsass Associati
- also available in black



Similar illustration

To order the bath with pre-drilled grip holes on one side, please order model xxxx**1011**xxxx.



## GRIP ELEGANT PURISM



Model No.		732	733
External length	a	1700	1800 mm
External width	b	750	800 mm
Depth	c	445	445 mm
Internal length (top)	d	1540	1640 mm
<b>Internal length (bottom)</b>	<b>e</b>	<b>1080</b>	<b>1180</b> mm
Internal width (top)	f	590	640 mm
Internal width (bottom)	g	470	520 mm
Height with feet	h	565-600	555-590 mm
Height of rim	i	50	50 mm
Distance top edge to centre of overflow hole	j	70	70 mm
Distance bath edge to centre of drain hole	k	850	900 mm
Diameter of overflow hole	l	52	52 mm
Diameter of drain hole	m	90	90 mm
Distance foot end of bath edge to centre of foot	n	555	555 mm
Distance between the feet	o	590	690 mm
Max. width of feet	p	445	515 mm
Distance bath edge to where grip/handle starts	q	702,5	752,5 mm
Distance bath edge to where grip/handle ends	r	997,5	1047,5 mm
Width of rim (foot end; lengthwise)	s <sub>1</sub> ; s <sub>2</sub>	80; 80	80; 80 mm
Distance between centre holes	u	285	310 mm
Water volume** in litres		122	159
Weight of the enamelled bath in kg		52	57
Anti-slip		356 x 356	404 x 404 mm
Full anti-slip		788 x 356	884 x 404 mm

Subject to technical alterations, tolerances and errors. Similar illustration.  
 \*\* 70 litres displacement on average.

**KALDEWEI**